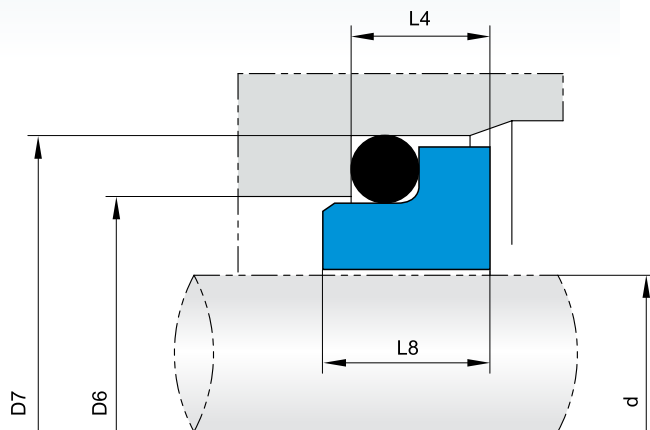


- O-Ring Stationary seat σύμφωνα με EN12756

- Υλικά κατασκευής C01 : V1,Q1,Q2,U1,U2



Stationary seat

TS SEALS C08



Size Metric	d	D6	D7	L4	L8
12	12	19	23	6.0	6.8
14	14	21	25	6.0	6.8
16	16	23	27	6.0	6.8
18	18	27	33	6.0	7.0
20	20	29	35	6.0	7.0
22	22	31	37	6.0	7.0
24	24	33	39	6.0	7.0
25	25	34	40	6.0	7.0
28	28	37	43	6.0	7.0
30	30	39	45	7.0	8.0
32	32	42	48	7.0	8.0
33	33	42	48	7.0	8.0
35	35	44	50	8.0	9.0
38	38	49	56	8.0	9.0
40	40	51	58	8.0	9.0
43	43	54	61	8.0	9.0
45	45	56	63	8.0	9.0
48	48	59	66	10.0	11.0
50	50	62	70	10.0	11.0
53	53	65	73	10.0	11.0
55	55	67	75	10.0	11.0
58	58	70	78	10.0	10.7
60	60	72	80	12.0	12.7
63	63	75	83	12.0	12.7
65	65	77	85	12.0	12.7
68	68	81	90	12.0	12.7
70	70	83	92	12.0	12.7
75	75	88	97	12.0	12.7
80	80	95	105	12.5	13.2
85	85	100	110	12.5	13.2
90	90	105	115	12.5	13.2
95	95	110	120	12.5	13.2
100	100	115	125	12.5	13.2